

H-100



WARRANTY
2
YEARS
OR 50.000 KM

Hotline Sales : 0822 111 82881 (24H)
Tel : (021) 729 3338-9 ext 340 & 344
E mail : commercial@hyundaimobil.com
h100.hyundaimobil.co.id
Customer Care : (021) 7289 7000
0800 182 1407, 0812 970 0079 (sms)

Sole Agent :
PT Hyundai Indonesia Motor
Jl. H. Wahab Affan KM 28
Pondok Ungu, Bekasi.
Telp (021) 885 4220 (HUNTING)

Sole Distributor :
PT Hyundai Mobil Indonesia
Jl. Teuku Nyak Arif No.14
Simpurug, Jakarta Selatan 12220.
Telp (021) 729 3338

cs@hyundaimobil.com
facebook.com/hyundaimobil
@hyundaimobil
www.hyundaimobil.co.id

 **HYUNDAI**



Wide & Comfortable Cabin



Glove Box



5 Speed Manual Transmission



Modern Cluster Design



Center Fascia



Engine T2 2.6L



Hood



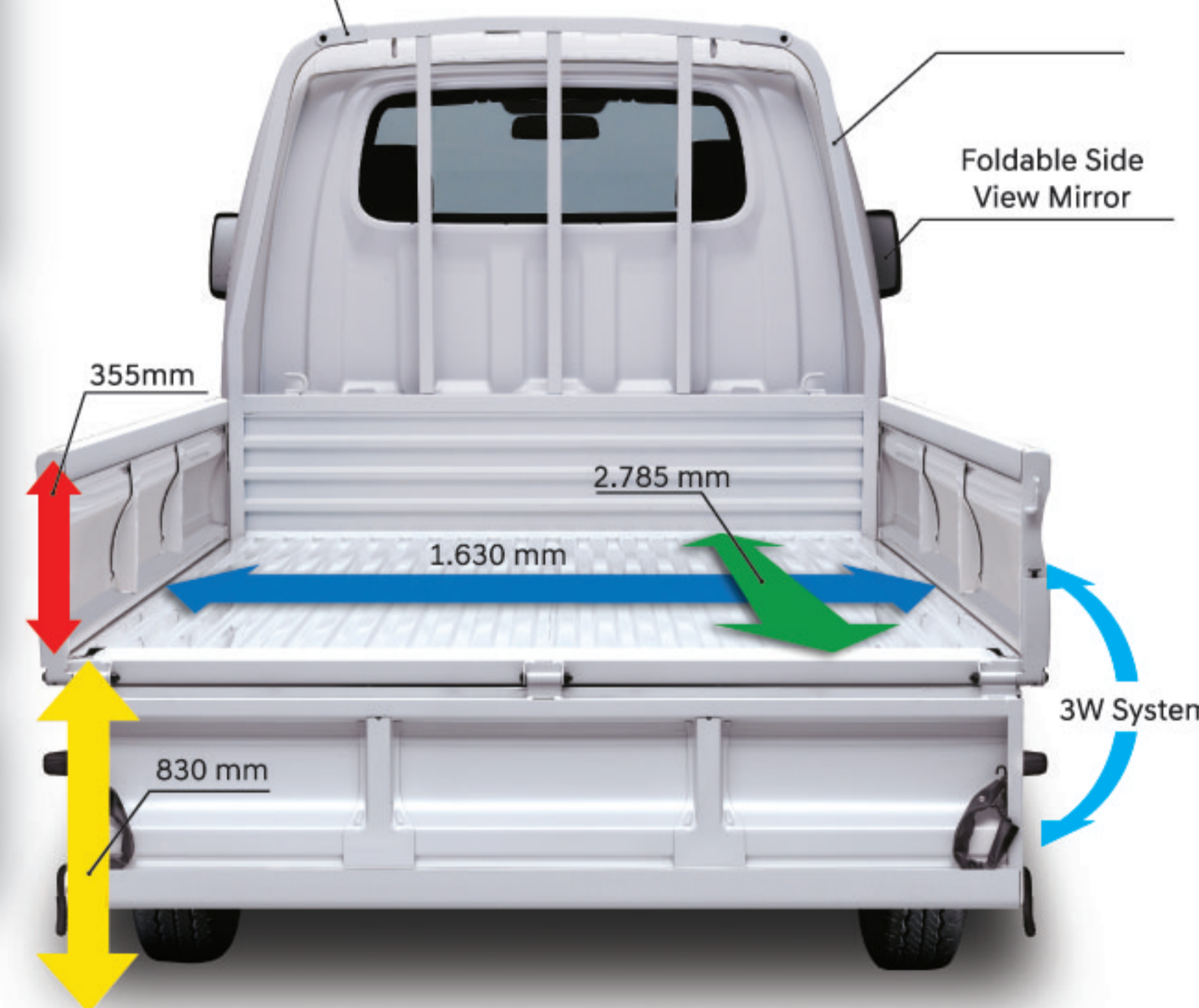
Lockable Fuel Filter Cap



Brake System with LSPV
(Loading Sensing Proportioning Valve)



Foldable Stopper



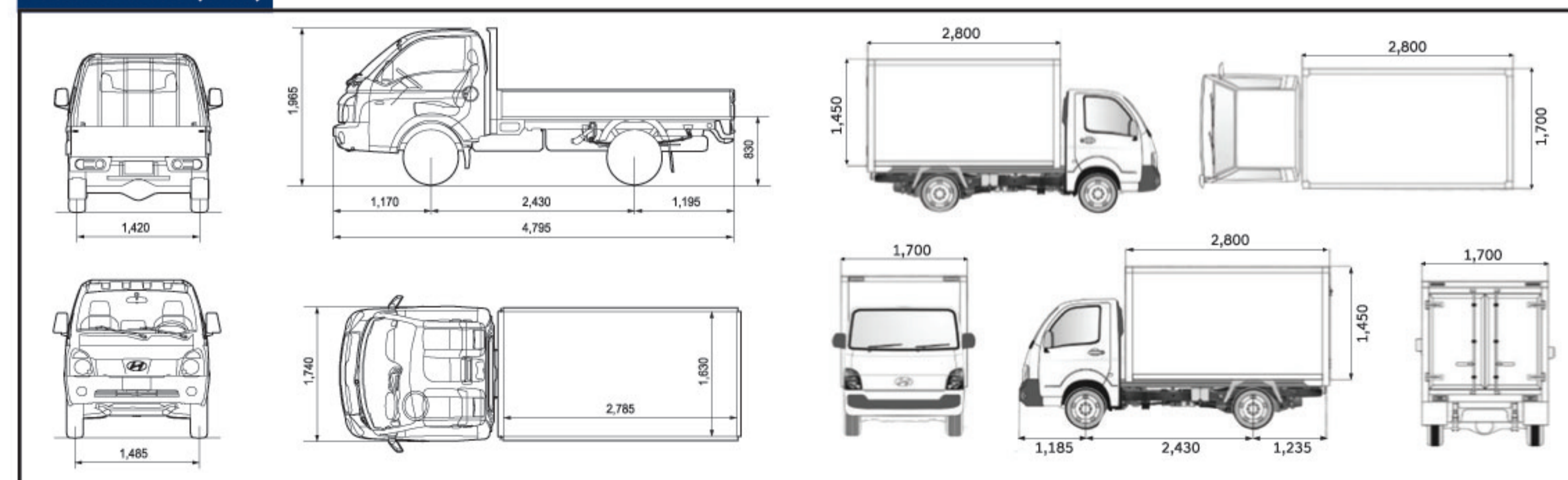
Power Steering



Spesifikasi H-100

VARIANT		H - 100
ENGINE		
Type	2.6 - T2 (E2)	
Displacement (cc)	2,607	
Bore x Stroke (mm)	91.2 x 100	
Compression Ratio	22.0 : 1	
Max. Power (ps/rpm)	80 / 4000	
Max. Torque (kg, m/rpm)	17 / 2200	
Valve System	2 Valve / Cylinder, SOHC	
Fuel System	Bosch Injection Pump	
Fuel Type	DIESEL	
Electric System	Battery	12V - 72 AH
	Alternator	12V - 72 AH
Cooling Capacity (L)	4.5	
Lubrican Oil Capacity (L)	5.7	
Fuel Tank Capacity (L)	65	
TRANSMISSION		
Drive Type	2WD Rear	
Type	Manual, 5 Speed	
Gear Ratio	1st	3.986
	2nd	2.156
	3rd	1.414
	4th	1.000
	5th	0.814
	Reverse	3.814
Final Gear Ratio	4.222	
Clutch Type	Dry Type with Single Friction Plate	
Disc Facing Diameter	240 mm (OD) - 8.8 mm (T)	
Lubrican Oil (L)	2.4	
SUSPENSION		
Front	Torsion Bar Spring	
Rear	Semi Elliptic Laminated Multi Leaf Spring	
Shock Absorber	Oil Type, Hydraulic Double Action	
Stabilizer Bar	Torsion Bar Type on Front	
BRAKE		
General	Hydraulic with Load Sensing Proportioning Valve	
Front Type	DISC	
Rear Type	Drum	
Parking Brake	Mechanical Cable Type, at Rear	
Booster	Size / Type	8" + 9" / Tandem
STEERING SYSTEM		
Steering Type	Rack & Pinion with Collapsible Universal Joint & Column	
Power Steering Type	Hydraulic Power Assisted System	
Minimum Turning Radius	5.04	

Dimensions (mm)



Whee Type	Steel Rim 15 x 6"
Tire Size	195 / 70 R15C - 8PR

Exterior	Overall Lenght	4,850
	W/O Deck	4,795
	Overall Width	1,740
	Overall Height	1,970
Wheel Base	Front	2,430
	Rear	1,420
Wheel Thread	Front	1,485
	Rear	1,235
Over Hang	Front	1,185
	Rear	1,235
Ground Clearance (mm)	Front	185
	Rear	185
Interior	Head Room	1,025
	Leg Room	1,007
	Shoulder Room	1,468
	Hip Room	1,407
	Seat	Front Seat
Seat	Headrest	Integrated
	Passenger Seat	Fix
	Headrest	Integrated
	No. of Passenger	3
	Cargo Area	Lenght
Width		1,630
Height		355
Load Area (mm ²)		4539
Curb Weight(Lightest/Heaviest)	(w/o DECK)	1,595/1,635 kg
	(w/o DECK)	1,364/1,404 kg
Curb Vehicle Weight(GVW)	(w/o DECK)	3,015/- kg
	(w/o DECK)	3,015/- kg

CONVENIENCE		
Air Conditioning	OPT	
Radio + CD + USB	S	
Speaker (2 pieces Front Door)	S	
Tachometer	S	
Digital Clock	S	
Sun Visor	S	
Driver Foot Rest	S	
Trip Meter	S	
Front Cup Holder	S	
Mud Flaps Fr - Rr	S	
I/S Rear View Mirror (Day & Night Type)	S	
Cabin Courtesy Light	S	

SAFETY FEATURES		
Body - Crumple Zone	S	
Side Impact Protection Beams	S	
Front Seat Belt - ELR	S	
Tinted Wide Screen	S	
Front Door Side Repeater Indicator Lamp	S	
Halogen Headlight Type	S	

Spesifikasi dan kelengkapan berbeda di setiap negara dan sewaktu-waktu dapat berubah tanpa pemberitahuan lebih dahulu